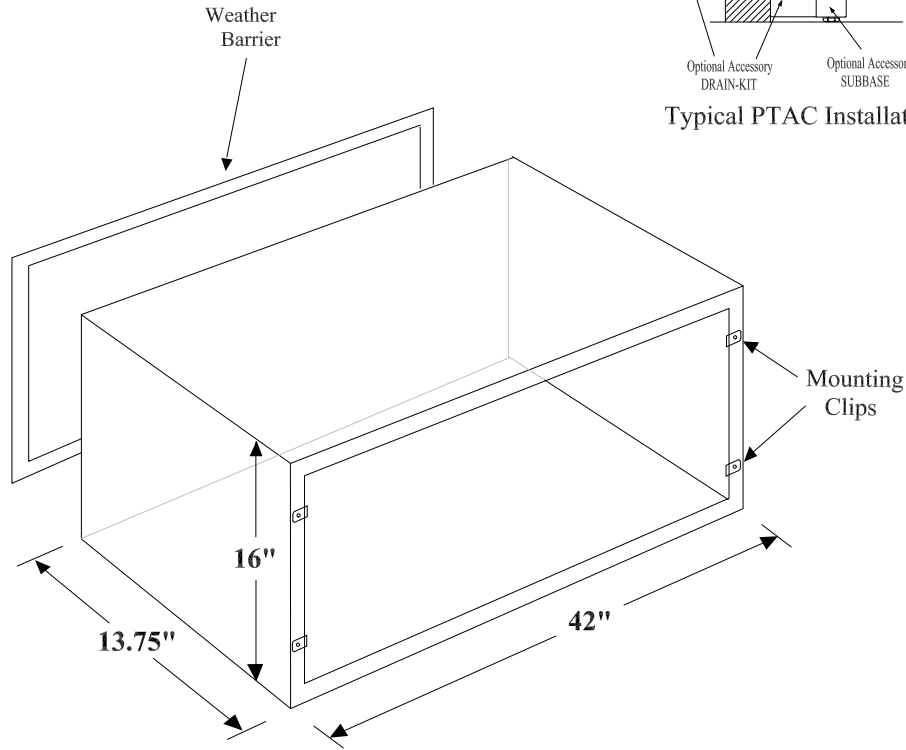
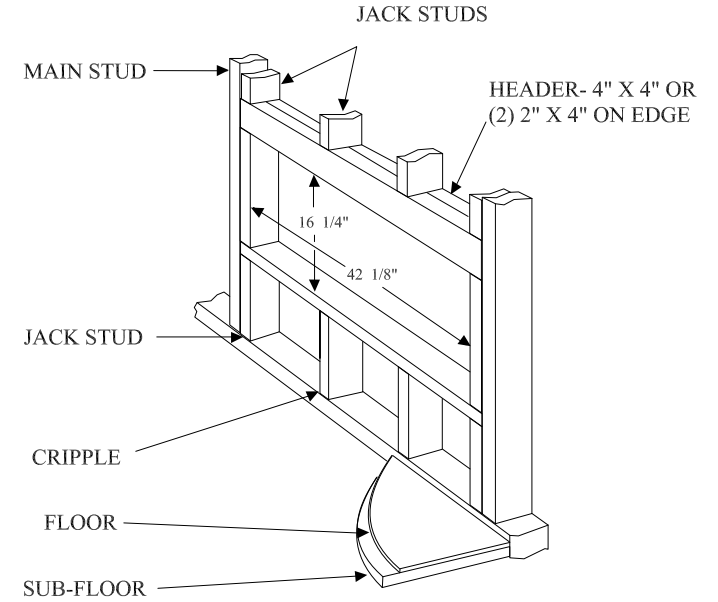
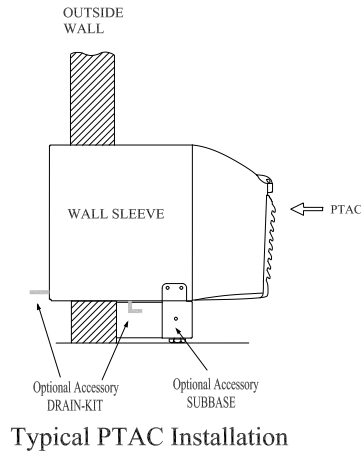




PROVEN PRODUCTS FOR THE HVAC INDUSTRY



PART NUMBER	INSULATION	ASSEMBLY
PTAC-SLEEVE-SE-INS	INSULATED	UNASSEMBLED
PTAC-SLEEVE-1PK	INSULATED	ASSEMBLED

DRAWING RELEASE LEVEL:		First America Products, LLC	
THIRD ANGLE PROJECTION	UNLESS OTHERWISE SPECIFIED DIMENSIONS ARE IN MILLIMETERS TOLERANCES ON:	THIS DOCUMENT AND THE INFORMATION CONTAINED THEREIN IS PROPRIETARY TO FIRST AMERICA PRODUCTS, LLC AND SHALL NOT BE USED OR DISCLOSED TO OTHERS, IN WHOLE OR IN PART, WITHOUT THE WRITTEN AUTHORIZATION OF FIRST AMERICA PRODUCTS, LLC.	
MATERIAL	0 DEC ±1.0	1 DEC ±0.8	2 DEC ±0.25
Powder Coated, 20 ga., Galvalume Steel	ANG ±1.0°	TITLE DIMENSIONAL DRAWING STD. METAL WALL SLEEVE	
WEIGHT:	ENGINEERING	MANUFACTURING	SIZE DRAWING NUMBER REV
SURFACE FINISH	DRAFTER	CHECKER	SHEET 1 OF 1
	MOBL (INTERNAL USE ONLY)	NEXT DRAWING	SCALE DISTRIBUTION

TITLE **STD. METAL WALL SLEEVE CERTIFIED DRAWING**