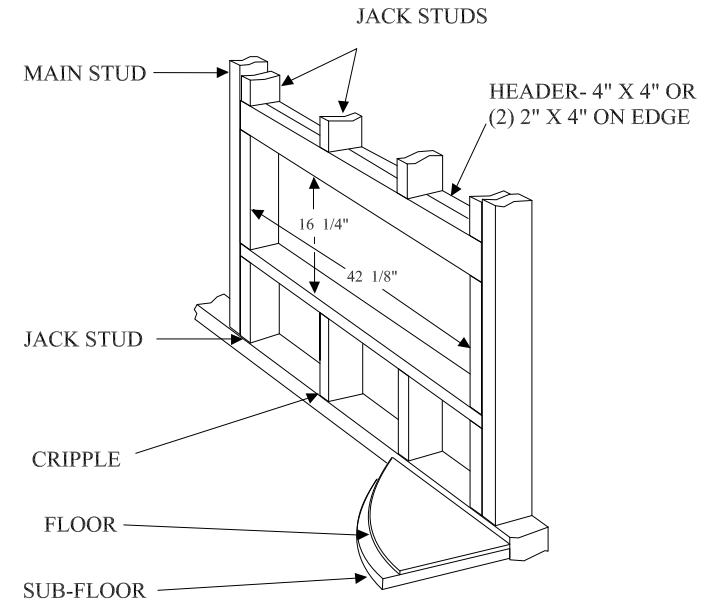
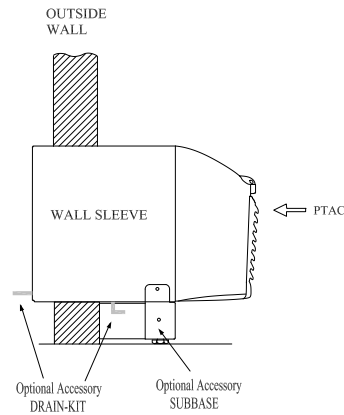
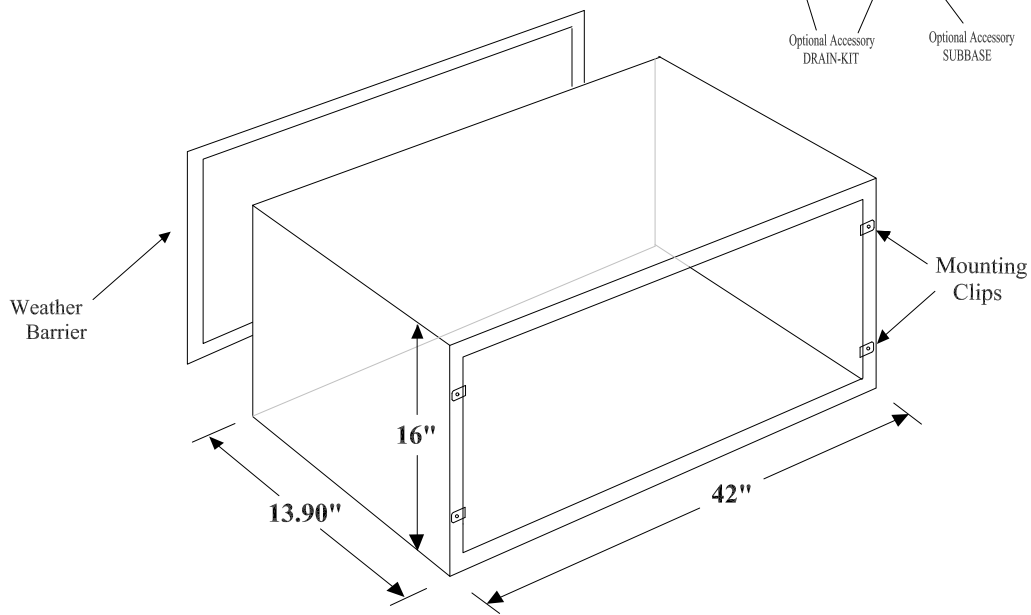




PROVEN PRODUCTS FOR THE HVAC INDUSTRY



Framing and Minimum Wall Sleeve Opening



PART NUMBER	INSULATION	ASSEMBLY
SLEEVE-POLY-SE-INS	INSULATED	UNASSEMBLED
SLEEVE-POLY-SE-NON	UNINSULATED	UNASSEMBLED
SLEEVE-INSUL-1PK	INSULATED	ASSEMBLED
WALL-SLEEVE-1PK	UNINSULATED	ASSEMBLED

DRAWING RELEASE LEVEL:		First America Products, LLC	
THIRD ANGLE PROJECTION	UNLESS OTHERWISE SPECIFIED DIMENSIONS ARE IN MILLIMETERS TOLERANCES ON:	THIS DOCUMENT AND THE INFORMATION CONTAINED THEREIN IS PROPRIETARY TO FIRST AMERICA PRODUCTS, LLC AND SHALL NOT BE USED OR DISCLOSED TO OTHERS, IN WHOLE OR IN PART, WITHOUT THE WRITTEN AUTHORIZATION OF FIRST AMERICA PRODUCTS, LLC.	
MATERIAL	0 DEC ±1.0	1 DEC ±0.8	2 DEC ±0.25
POLYMER with STAINLESS STEEL LATCHES	ANG ±1.0°	TITLE DIMENSIONAL DRAWING STD. POLYMER WALL SLEEVE	
WEIGHT:	ENGINEERING	MANUFACTURING	SIZE DRAWING NUMBER REV 2.0
SURFACE FINISH	DRAFTER	CHECKER	SHEET 1 OF 1
	MOBIL (INTERNAL USE ONLY)	NEXT DRAWING	SCALE DISTRIBUTION

TITLE **STD. POLYMER WALL SLEEVE CERTIFIED DRAWING**